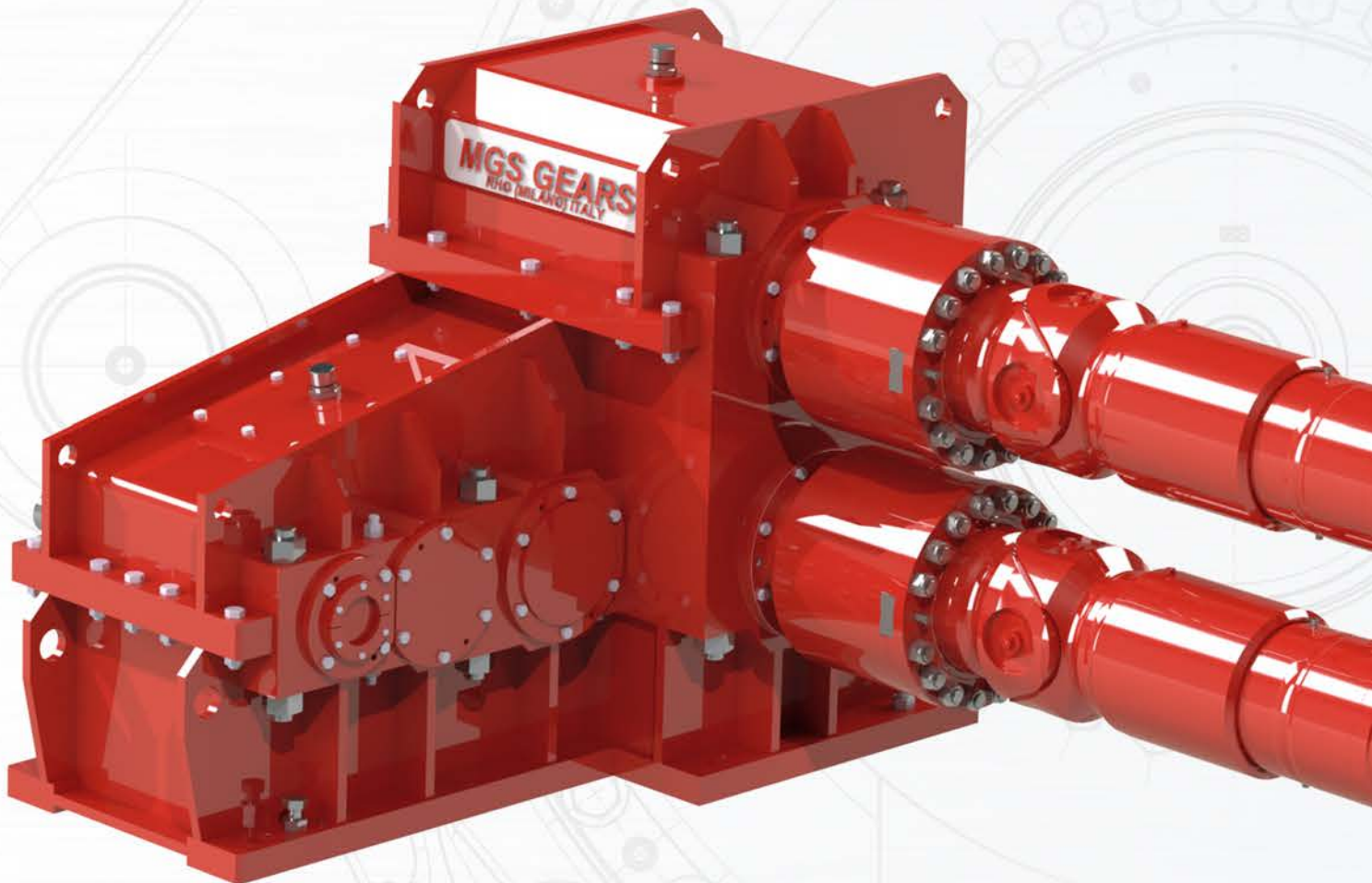


# SPECIAL GEARS AND GEARBOXES

*For the Heavy Industry*



[mgsgears.com](http://mgsgears.com)

Argentina - Bolivia - Brazil - Canada - Chile - China - Colombia - Costa Rica - Dominican Republic  
Ecuador - El Salvador - Guatemala - Honduras - Italy - Mexico - Nicaragua - Panama - Peru - Spain - USA





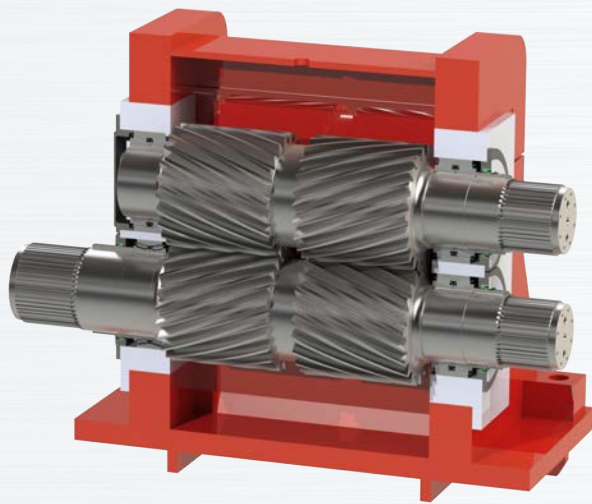
**MGS Gears** is a leading supplier of customized Gearboxes for the Heavy Industry. We have been designing and manufacturing Gearboxes and other special mechanical parts for more than 30 years, adapting them to the needs and technical requirements of each industry.

We guarantee maximum reliability and a complete level of customization according to the design, dimension, temperature, torque and speed, geometry, duty cycle, noise level, etc.

We use the most advanced simulation techniques and technologies capable of virtually reproducing the working conditions to which each mechanical component will be subjected.

All materials used in the manufacture of our mechanical components are subject to rigorous quality controls and undergo destructive and non-destructive testing to ensure long service life and expected performance.

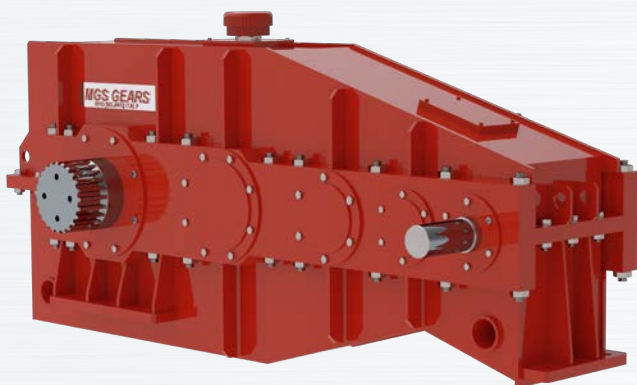
**MGS Gears** is one of thirteen companies in Europe that are members of the AGMA, American Gear Manufacturers Association. It is the third company in Italy to be a member.



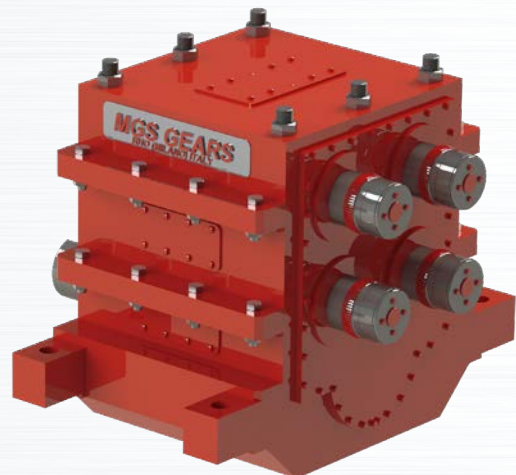
01 F0 pinion stand gearbox



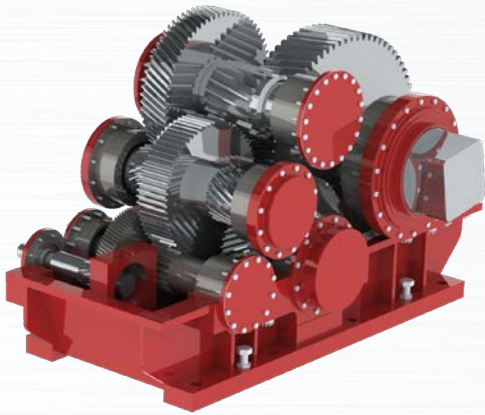
02 Duo gearbox



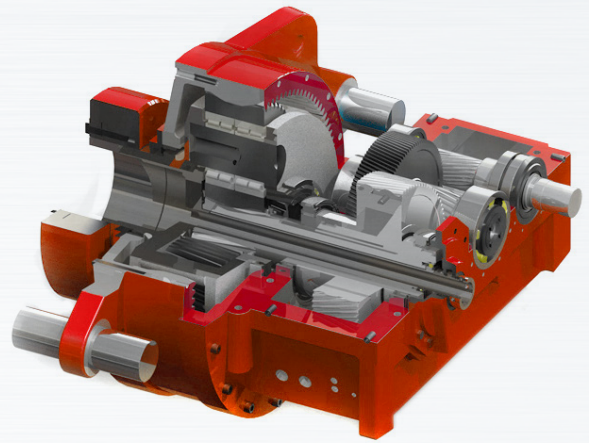
03 180 tons crane special gearbox



04 Zendimir gearbox



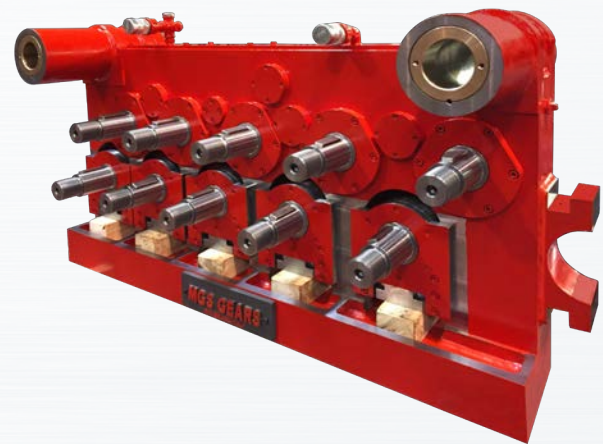
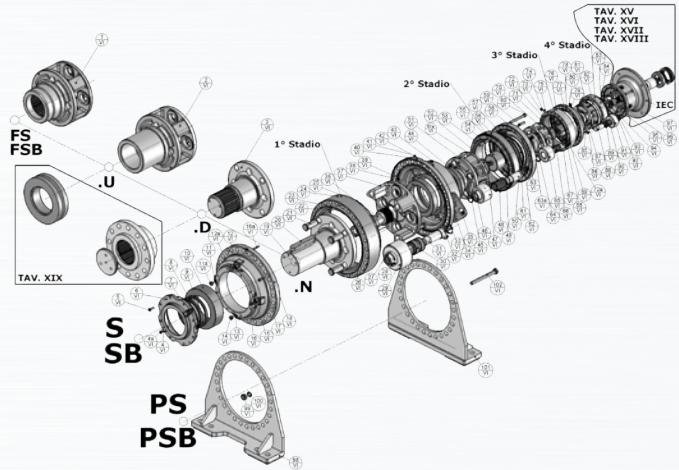
05 Special split torque gearbox



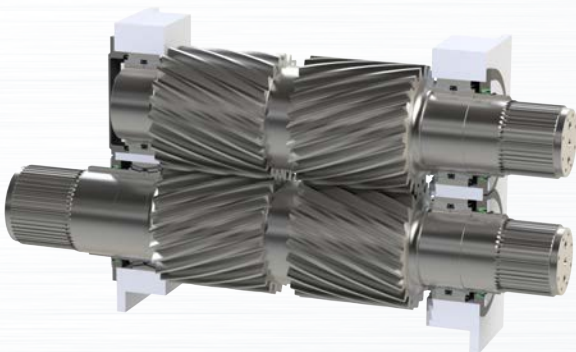
06 Planetary-helical special gearbox



07 Planetary gearbox for roller ways



09 Steel straightener gearbox



08 Pinion stand gears

**MGS GEARS** operates in the following sectors

- STEEL MILLS
- CEMENT PLANTS
- SUGAR MILLS
- WIND INDUSTRY
- MINING
- PAPER MILLS

**OTHER POWER TRANSMISSION PRODUCTS**



**01** Special gear couplings and gear spindles



**02** Special universal shafts



**03** Special knuckle assembly



**04** C type special high torque universal shaft

**Our engineering expertise allows us to meet all market needs, by satisfying the various applications of mechanical power transmission with a wide range of products, including:**

- Gearboxes, speed reducers and increasers
- Parallel shaft and bevel helical
- Hollow shaft gearboxes
- Motor gearboxes
- Planetary and parallel shaft gearboxes
- Bevel helical gearboxes
- Toothed couplings and gear.

**In addition to our wide range of products, we also offer:**

- Spare parts for all types of gearboxes
- Sample gears based on the customer's design or customized with our own design
- Gearboxes based on the customer's design
- Revamping and adjustments on all types of gearboxes including other manufacturer's gearboxes
- Cylindrical straight gears and helical and double helical gears
- Klingelnberg customized bevel gears finished by grinding
- Gleason customized bevel gears finished by lapping or grinding.

**Services**

- Revisions, repair, reverse engineering and upgrading for gears, gearboxes, speed increaser, planetary gearboxes of any type and brand
- Torque monitoring with strain gauges
- On-site technical assistance delivered by our engineers during all phases of installation and start-up
- Monitoring through vibration and noise tests, videoscopies, temperature and oil analysis.



**MGS Gears** Via Magenta, 77 Int.10 20017 Milan, Italy  
 ph +39.02.930.2124 | cell +39.33.156.20117 | [mgsgears.com](http://mgsgears.com)

**Atlantic Bearing Services** 8208 NW 30th Ter Miami, FL 33122 USA  
 ph 1.305.592.4404 | [sales@atlantic-bearing.com](mailto:sales@atlantic-bearing.com) | [atlantic-bearing.com](http://atlantic-bearing.com)

*Argentina - Bolivia - Brazil - Canada - Chile - China - Colombia - Costa Rica - Dominican Republic  
 Ecuador - El Salvador - Guatemala - Honduras - Italy - Mexico - Nicaragua - Panama - Peru - Spain - USA*

↓ Digital Version

