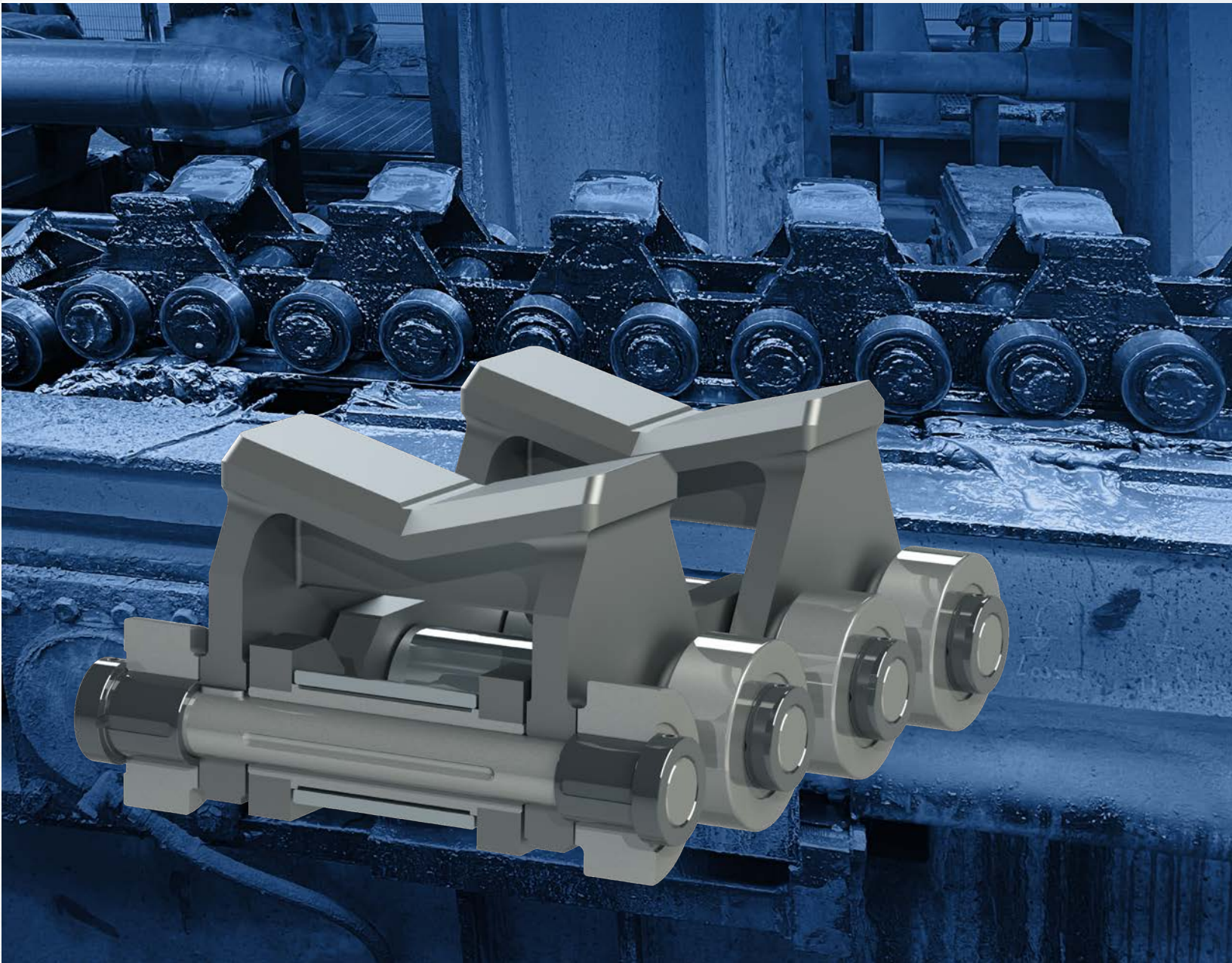


ENGINEERING CHAINS

for the Heavy Industry



atlantic-bearing.com

Argentina - Bolivia - Brazil - Canada - Chile - China - Colombia - Costa Rica - Dominican Republic
Ecuador - El Salvador - Guatemala - Honduras - Italy - Mexico - Nicaragua - Panama - Peru - Spain - USA

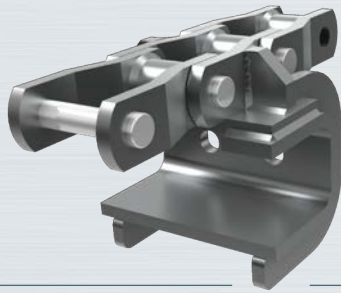
AEC
ATLANTIC ENGINEERING CHAIN

Engineering Chains for the Heavy Industry

AEC Chains emerged in 2009 to provide custom engineered chains designed to ensure superior performance and extend the life of your industrial equipment. Each component of our chains is manufactured from the highest quality steel and steel alloys and meets the most stringent quality standards in the market.

We manufacture many types of chains including Drop Forged Reivetless, Steel Roller Conveyor, Cast Combination, Welded Steel chains and others. All of them, receive a proper heat treatment in order to achieve the right balance between resistances to shock loading forces and long wear life.

Products



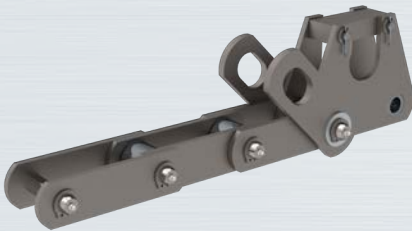
1 BRIDGE SCRAPER RECLAIMER



2 45 TON DRAW BENCH CHAIN
Dual Pitch



3 AERIAL CONVEYOR



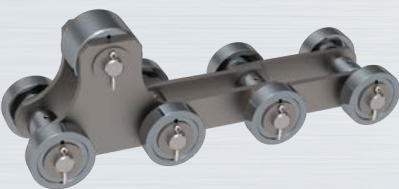
4 BD DRAG CHAIN
Special Attachment



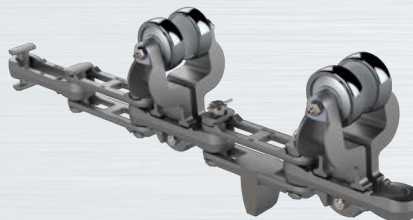
5 COOLING BED CHAIN
With Pusher Dog



6 DROP FORGED CHAIN



7 COOLING BED CHAIN
Bronze Bushed Rollers and Wheels



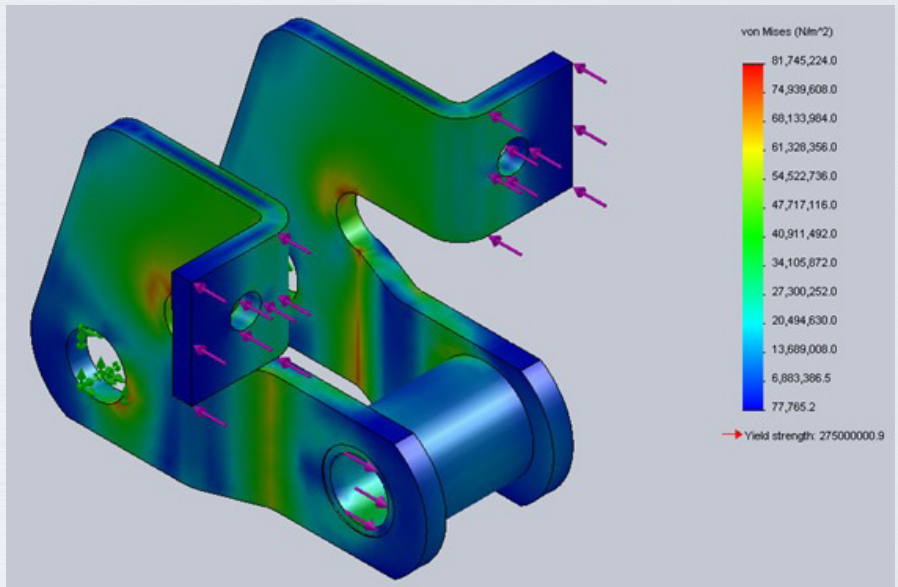
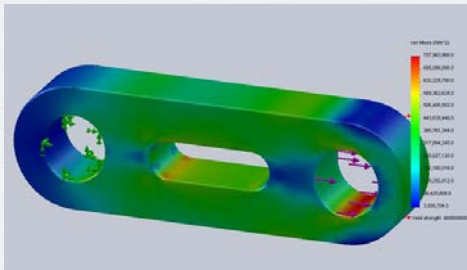
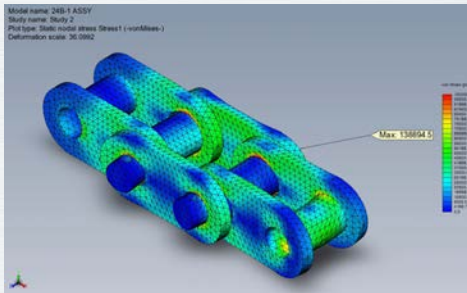
8 AERIAL CONVEYOR CHAIN
Wire Coil Carrier



9 COIL CARRIER CHAIN
With SP Hook

FEM Analysis

Solidworks®, AutoCad® and FEM analysis are CAD tools integrated in the design and development process of AEC design and development process. Today our Simulations and 3D models guarantee our prototypes are tough enough to withstand extreme conditions of most demanding conveying applications.



Applications

One of the great advantages of working with ABS is our long experience in a wide variety of industries. We are aware of the needs and technical and productive particularities required for each of them. As a result, we provide our clients with specialized professionals who will understand you from the start in order to arrive at the best solution in the shortest time possible.



MINING



STEEL



PAPER



SUGAR



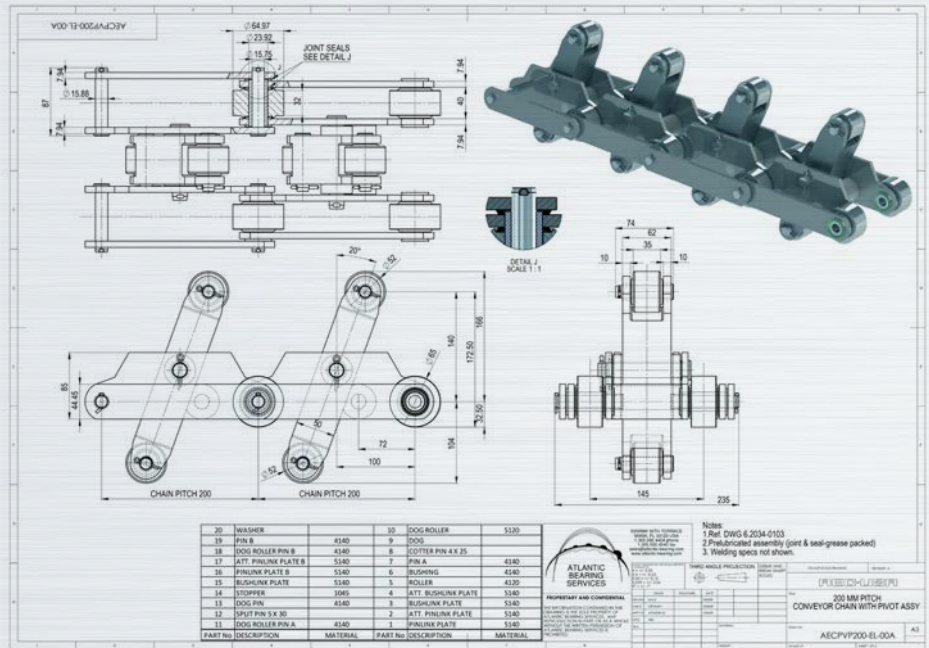
CEMENT



FOOD & BEVERAGE

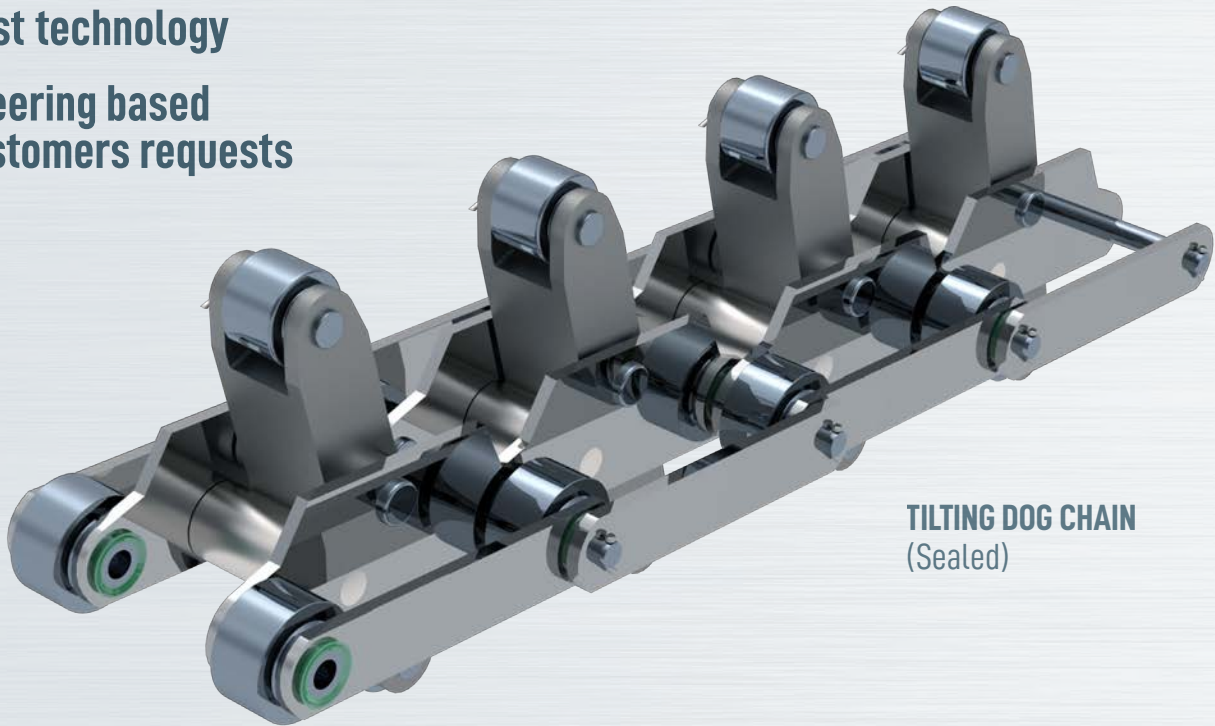
Quality

AEC Engineering Chain is widely used in Cement and Mining Industries. Its expertise, developed through years of flexible design and manufacturing, adapts to any requirement of today's most demanding conveying applications, from handling large capacities of bulk materials to severe conveying of heavy abrasive minerals with continuous service.



Highest technology

Engineering based on customers requests



TILTING DOG CHAIN
(Sealed)



Atlantic Bearing Services 8208 NW 30th Ter Miami, FL 33122 USA
ph 1.305.592.4404 | sales@atlantic-bearing.com | atlantic-bearing.com

Argentina - Bolivia - Brazil - Canada - Chile - China - Colombia - Costa Rica - Dominican Republic
Ecuador - El Salvador - Guatemala - Honduras - Italy - Mexico - Nicaragua - Panama - Peru - Spain - USA

↓ Digital Version

